

MAA SERIES

PSC 4 POLE, SINGLE STAGE 50 PSI
MAX. PRESSURE, 1.03 CFM OPEN FLOW (60Hz)

PSC 2 POLE, SINGLE STAGE 50 PSI
MAX. PRESSURE, 1.58 CFM OPEN FLOW (60Hz)

PSC 4 POLE SINGLE STAGE
24" HG MAX. VACUUM 1.0 CFM OPEN FLOW (60Hz)

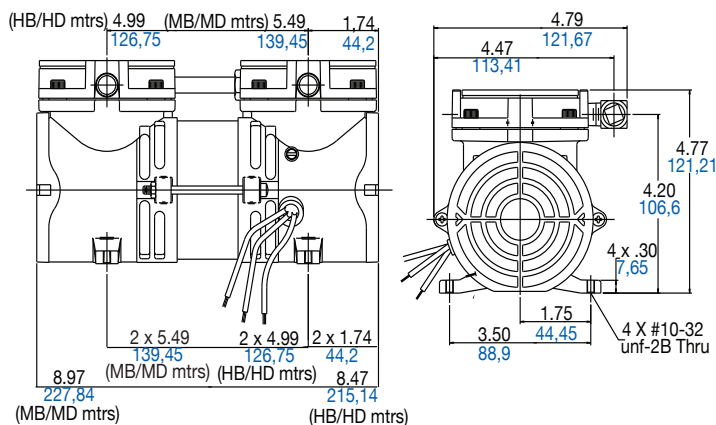
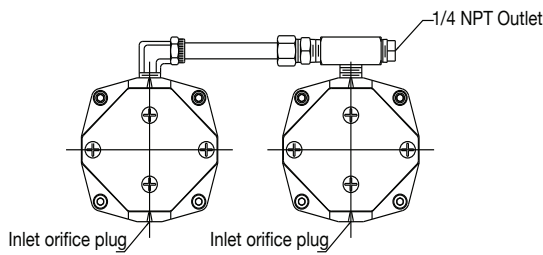
PSC 2 POLE SINGLE STAGE
24" HG MAX. VACUUM, 1.4 CFM OPEN FLOW (60Hz)

PSC 4 POLE TWO STAGE
28" HG MAX. VACUUM, .47 CFM OPEN FLOW (60Hz)

PSC 2 POLE TWO STAGE
28.5" HG MAX. VACUUM, .80 CFM OPEN FLOW (60Hz)

inches/mm

Single Staged Shown



PRODUCT FEATURES

- Oilless operation
- Motor-mounted
- Rugged construction
- Low maintenance

INCLUDES

- Capacitors shipped unattached AG331 (4-pole motors), AF485A (2-pole motor)

RECOMMENDED ACCESSORIES

- Pressure gauge AF583, vacuum gauge AA640
- Pressure relief valve AF887, Vacuum relief valve AA550C-V
- Rubber feet (4) AG505
- Repair Kit K309 (Use 2)



Product Specifications

Model Number	Motor	Type	Stages Vacuum Models	RPM		HP	kW	Net. Wt.		Regulatory
				60 Cycle	50 Cycle			lbs	kg	
MAA-P102-HB	115/110-60/50-1	PSC (4 pole)	-	1575	1275	1/16	0,05	8	3,6	cUR/CE
MAA-P102-HD	220/230-50/60-1	PSC (4 pole)	-	1575	1275	1/16	0,05	8	3,6	cUR/CE
MAA-P102-MB	115/110-60/50-1	PSC (2 pole)	-	3000	2500	1/8	0,09	9	4,1	CE
MAA-V103-HB	115/110-60/50-1	PSC (4 pole)	One	1575	1275	1/16	0,05	8	3,6	cUR/CE
MAA-V109-HB	115/110-60/50-1	PSC (4 pole)	Two	1575	1275	1/16	0,05	8	3,6	cUR
MAA-V109-HD	220/230-50/60-1	PSC (4 pole)	Two	1575	1275	1/6	0,05	8	3,6	cUR
MAA-V103-MB	115/110-60/50-1	PSC (2 pole)	One	3000	2500	1/8	0,09	9	4,1	CE
MAA-V109-MB	115/110-60/50-1	PSC (2 pole)	Two	3000	2500	1/8	0,09	9	4,1	CE
MAA-V109-MD	208-230/ 220-240-60/50-1	PSC (2 pole)	Two	3000	2500	1/8	0,09	9	4,1	CE

cUR - UL recognized for use in Canada
 CE conforms to European Standards
 UL UR recognized.

Product Performance (Metric, U.S.)

