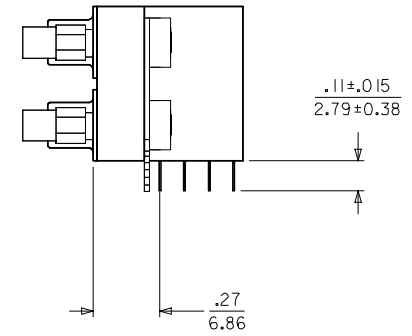
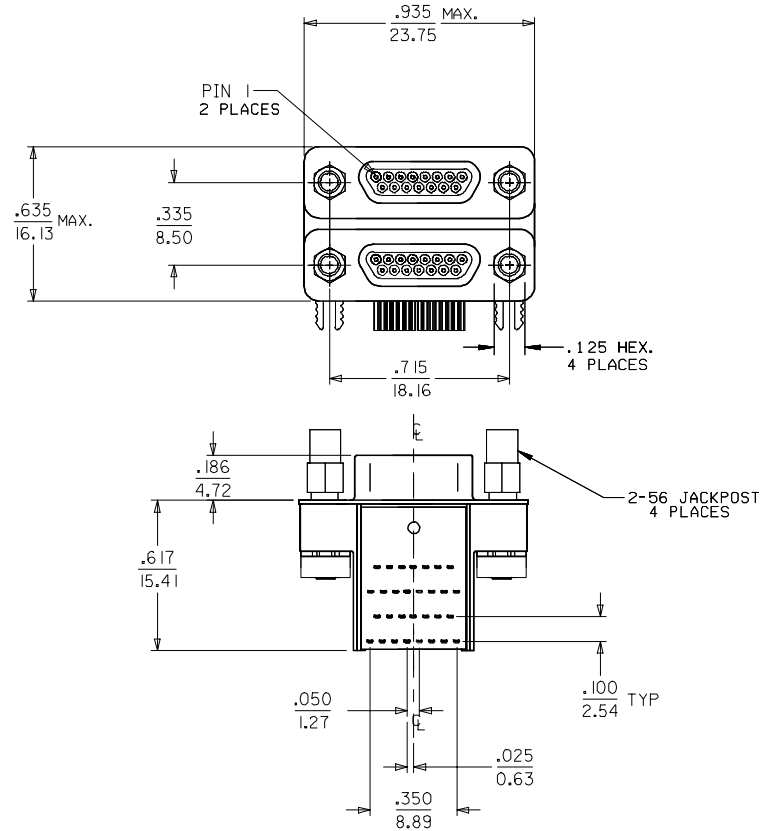


MATERIAL NO.	ENGINEERING NO.
836199010	83619-9010



SALES DRAWING

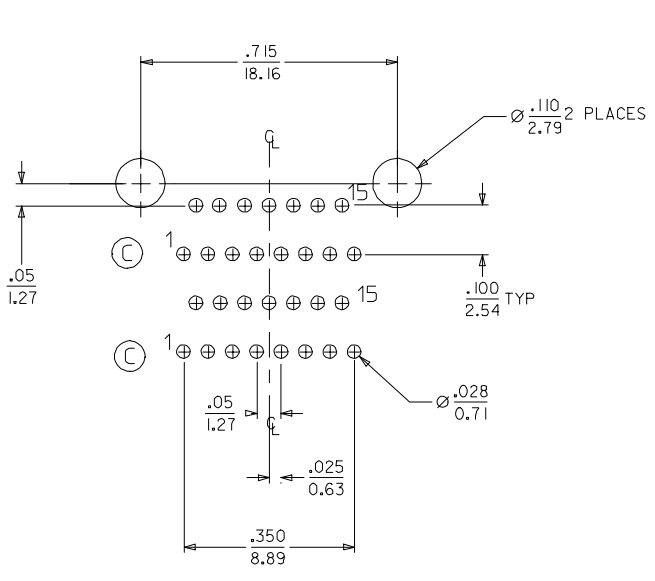
2. SEE SHEET 2 OF 2 FOR P.C.B. LAYOUT AND PANEL CUT-OUT DIMENSIONS.

1. MARKING: NONE.

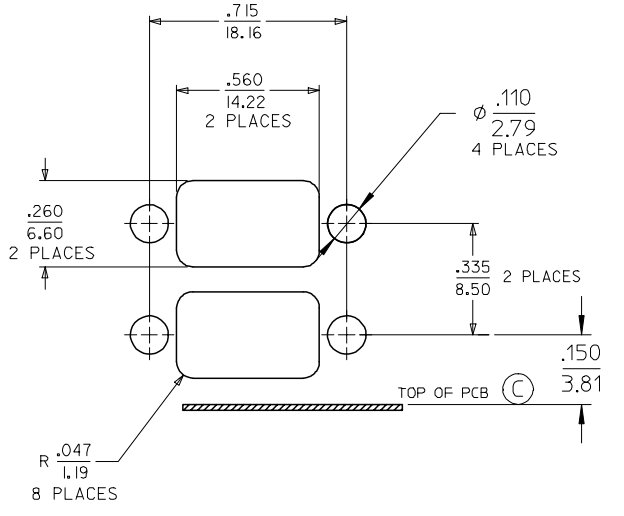
NOTES: UNLESS OTHERWISE SPECIFIED.

CHANGE ON SHEET 2 EC NO: ETC2005-0059 DRWN: JLOMASTR 2004/09/28 CHKD: RDEROSS 2004/09/28 APPR: RDEROSS 2004/09/28	QUALITY SYMBOLS ▽=0 ▽=0	GENERAL TOLERANCES (UNLESS SPECIFIED)		DIMENSION STYLE	SCALE	DESIGN UNITS	THIRD ANGLE PROJECTION	
				IN/MM	NONE	INCH		
		4 PLACES	± ---	± ---	DRAWN BY	DATE	TITLE	
		3 PLACES	± ---	± .005	JLOMASTR	04/09/20	DUAL CONNECTOR	
2 PLACES	± 0.13	± .01	CHECKED BY	DATE	COMM. MICRO D PLUG R/A			
1 PLACE	± 0.25	± ---	RDEROSS	04/09/28	SIZE 15			
ANGULAR ±1/2°		APPROVED BY		DATE	MOLEX INCORPORATED			
DRAFT WHERE APPLICABLE MUST REMAIN WITHIN DIMENSIONS		RDEROSS		04/09/29	MATERIAL NO. SEE CHART		DOCUMENT NO. SD-83619-006	
		SIZE B		THIS DRAWING CONTAINS INFORMATION THAT IS PROPRIETARY TO MOLEX INCORPORATED AND SHOULD NOT BE USED WITHOUT WRITTEN PERMISSION			SHEET NO. 1 OF 2	

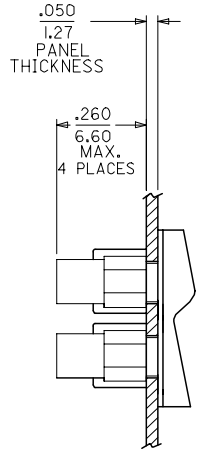
MATERIAL NO.	ENGINEERING NO.
836199010	83619-9010



RECOMMENDED  
P.C.B. LAY-OUT  
SOLDER SIDE (C)



RECOMMENDED  
PANEL CUT-OUT



SALES DRAWING

NOTES: UNLESS OTHERWISE SPECIFIED.

ADD HOLE LOCATION EC NO: ETC2005-0059 IDRWN: JLOMASTR CHKD: APPR: RDEROSS	DESCRIPTION 2004/09/28 2004/09/28	QUALITY SYMBOLS ▽=0 ▽=0	GENERAL TOLERANCES (UNLESS SPECIFIED)		DIMENSION STYLE IN/MM	SCALE NONE	DESIGN UNITS INCH	THIRD ANGLE PROJECTION	
		4 PLACES ± --- ± ---	mm	INCH	DRAWN BY JLOMASTR	DATE 04/09/20	TITLE DUAL CONNECTOR COMM. MICRO D PLUG R/A SIZE 15		
		3 PLACES ± --- ± .005			CHECKED BY RDEROSS	DATE 04/09/28	MOLEX INCORPORATED		
		2 PLACES ± 0.13 ± .01			APPROVED BY RDEROSS	DATE 04/09/29	MATERIAL NO. SEE CHART	DOCUMENT NO. SD-83619-006	SHEET NO. 1 OF 1
1 PLACE ± 0.25 ± ---			ANGULAR ± 1/2°						
DRAFT WHERE APPLICABLE MUST REMAIN WITHIN DIMENSIONS			THIS DRAWING CONTAINS INFORMATION THAT IS PROPRIETARY TO MOLEX INCORPORATED AND SHOULD NOT BE USED WITHOUT WRITTEN PERMISSION						