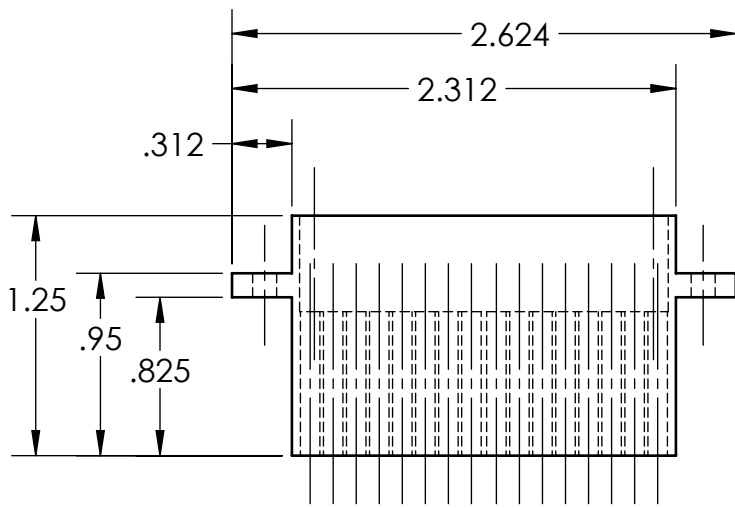
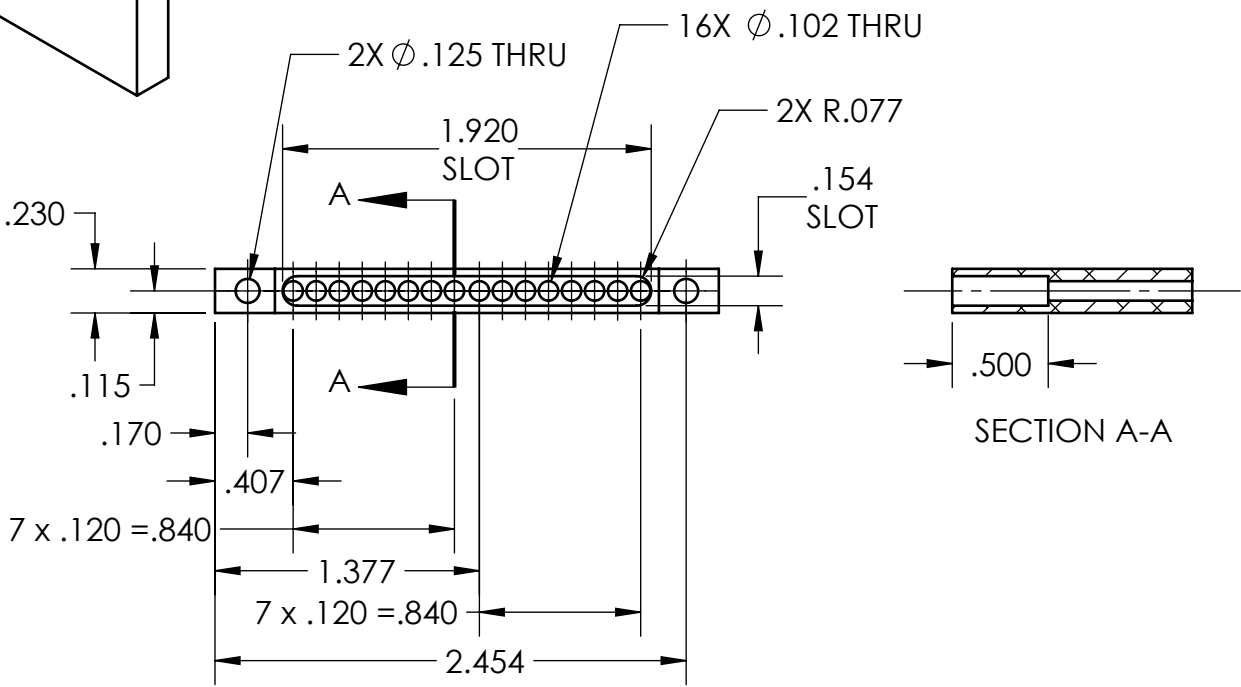
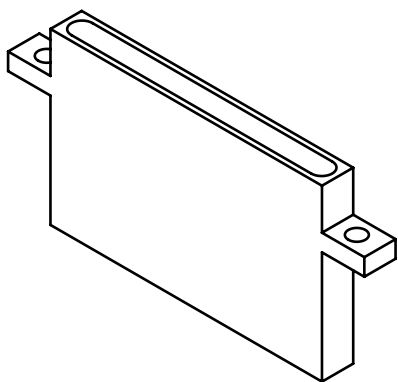


REVISIONS				
REV.	DESCRIPTION	MD WO #	DATE	BY
A	RELEASED			

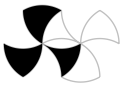


-
-
-
XXXXXX
NEXT ASSEMBLY

UNLESS OTHERWISE SPECIFIED:
 DIMENSIONS ARE IN INCHES
 BREAK ALL SHARP EDGES .02 MAX.
 REMOVE ALL BURRS
 30 Deg. CHAMFER ENDS ALL THREADS
 MACHINE SURFACE FINISH 63 ✓
 DO NOT SCALE DRAWING

Dimension Tolerances

1 Place Dec.	+/- .030
2 Place Dec.	+/- .010
3 Place Dec.	+/- .005
"STOCK"	+/- .060
Angles	+/- .5°



National Superconducting Cyclotron Laboratory
 MICHIGAN STATE UNIVERSITY - East Lansing, Michigan

DRAWN BY C. Snow		Project / System Reference XXXXXX		
DATE 4/2013		DESCRIPTION HiRA Cable Connector		
SCALE 1:1	SIZE A	MATERIAL Alum 6061-T6	PART # connector	REV A