



### V7-7B17D8-201



**V7 Series Miniature Basic Switch, Single Pole Double Throw Circuitry, 11 A at 277 Vac, Roller Lever Actuator, 2,78 N [10.0 oz] Maximum Operating Force, Silver Contacts, Quick Connect Termination**

*Actual product appearance may vary.*

#### V7 Series Features

- World-wide package size acceptance
- Current rating ranges from 0.1 A to 25 A
- Wiping contact action
- Temperature range to 177 °C [350 °F]
- Long mechanical life
- Elongated mounting holes for easier, more accurate mounting
- UL/CSA recognized, ENEC (European) approval available
- Choice of actuation, termination and operating characteristics

#### Potential Applications

- Appliances
- Vending machines
- Timing devices
- Office equipment
- Computer/business equipment
- Test instruments
- Medical/dental equipment
- Communications equipment
- HVAC equipment
- Manually operated devices
- Valves
- Gaming equipment
- Pressure switches

#### Description

MICRO SWITCH™ V5 and V7 Series basic switches are used for simple or precision on/off, end of limit, presence/absence, pressure, temperature and manual operator interface application needs.

#### Product Specifications

Switch Type	MICRO SWITCH™ Miniature 15,9 mm H x 10,2 mm W x 28,8 mm L [0.63 in H x 0.4 in W x 1.14 in L]
Sealed	No
Ampere Rating	11 A
Circuitry	Single Pole Double Throw (SPDT)
Actuator	Roller Lever
Termination	Quick Connect
Operating Temperature Range	-40 °C to 85 °C [-40 °F to 185 °F]
Voltage	277 Vac

Approvals	CSA,UL,ENEC
Actuator Length	20,6 mm [0.81 in]
Contact Type	Silver
Operating Force (O.F.)	2,78 N [10.0 oz] max.
Release Force (R.F.)	0,28 N [1.0 oz] min.
Pretravel (P.T.)	1,42 mm [0.056 in] max.
Overtravel (O.T.)	0,86 mm [0.034 in] min.
Differential Travel (D.T.)	0,33 mm [0.013] max.
Operating Position (O.P.)	20,5 ± 0,736 mm [0.808 ± 0.029 in]
Housing Material	PCT PolyesterThermoplastic
High Temperature	85 °C [185 °F]
CE mark	61058-1
UL File #	E12252
CSA File #	LR41370
Agency Approvals and Standards	1054
Mounting Centers	22,2 mm [0.88 in]
Maximum Tightening Torque	0,56 N m [5.0 in lb]
Weight	8 g [0.3 oz]
Package Height	16 mm [0.63 in]
Package Width	10,2 mm [0.40 in]
Package Length	27,7 mm [1.09 in]
Availability	Global
UNSPSC Code	30211905
UNSPSC Commodity	30211905 Snap switches
Series Name	V7

**MICRO SWITCH**  
a Honeywell Division

FED. MFG. CODE 91 929

SWITCH - BASIC

CATALOG LISTING

V7-7B17D8-201

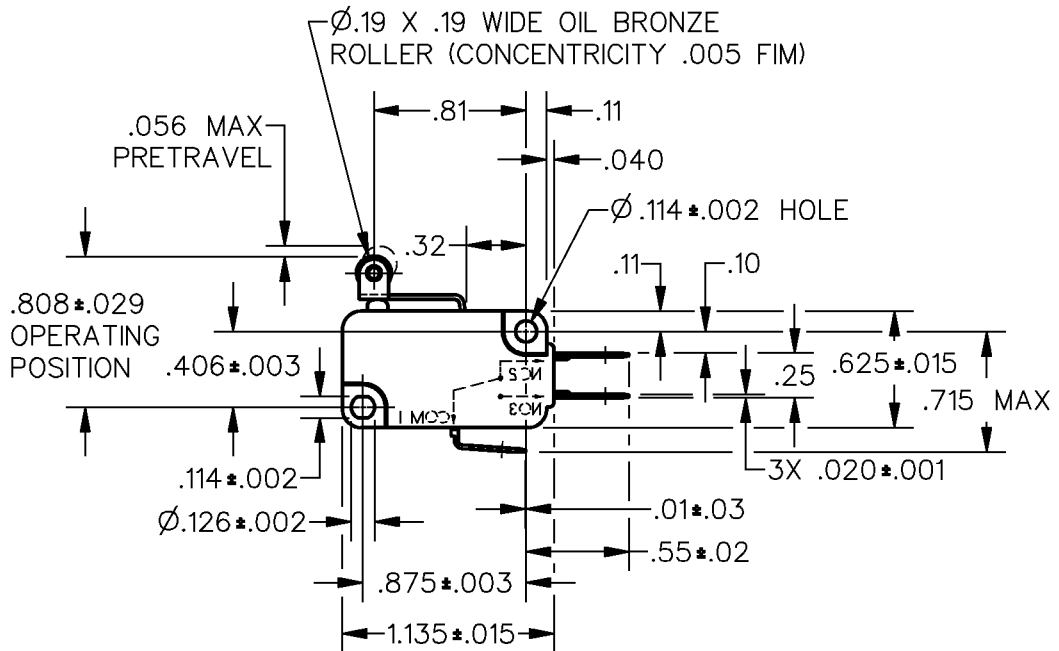
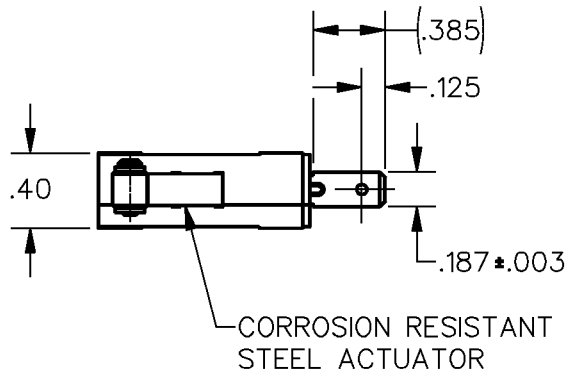
CW-C6117

CATALOG LISTING  
V7-7B17D8-201  
PAGE 1 OF 1

ISSUE  
2

REVISIONS  
A PR23389  
17 TSM  
APR 98

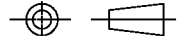
REPLACES X102350-V7  
RELEASE NO. PR-23389  
CHECK  
17 APR 98  
CHECK  
JAF  
7 APR 98  
CHECK  
TSM



ANSI Y14.5M-1982 APPLIES

THIS DRAWING COVERS A PROPRIETARY ITEM AND IS THE PROPERTY OF MICRO SWITCH, A DIVISION OF HONEYWELL. THIS DRAWING IS NOT TO BE COPIED OR USED WITHOUT THE APPROVAL OF MICRO SWITCH.

THIRD ANGLE PROJECTION



CHARACTERISTICS	ELECTRICAL DATA	SCALE FULL	DO NOT SCALE PRINT
OPERATING FORCE — — — — 10 OZ MAX	CONTACT ARRANGEMENT S P D T	<b>UNLESS OTHERWISE SPECIFIED TOLERANCES ARE</b>	
RELEASE FORCE — — — — 1 OZ MIN	L156 11A 1/3HP 125, 250 OR 277 VAC 1/2A 125 VDC, 1/4A 250 VDC 4A 125 VAC "L"	ONE PLACE ( .0 )	± .030
DIFFERENTIAL TRAVEL — — — .013 MAX		TWO PLACE ( .00 )	± .015
OVERTRAVEL — — — — .034 MIN		THREE PLACE ( .000 )	± .005
RELEASE TRAVEL — — — — .007 MIN		ANGLES	±
		WEIGHT	



DDM/CAD  
DRAWN