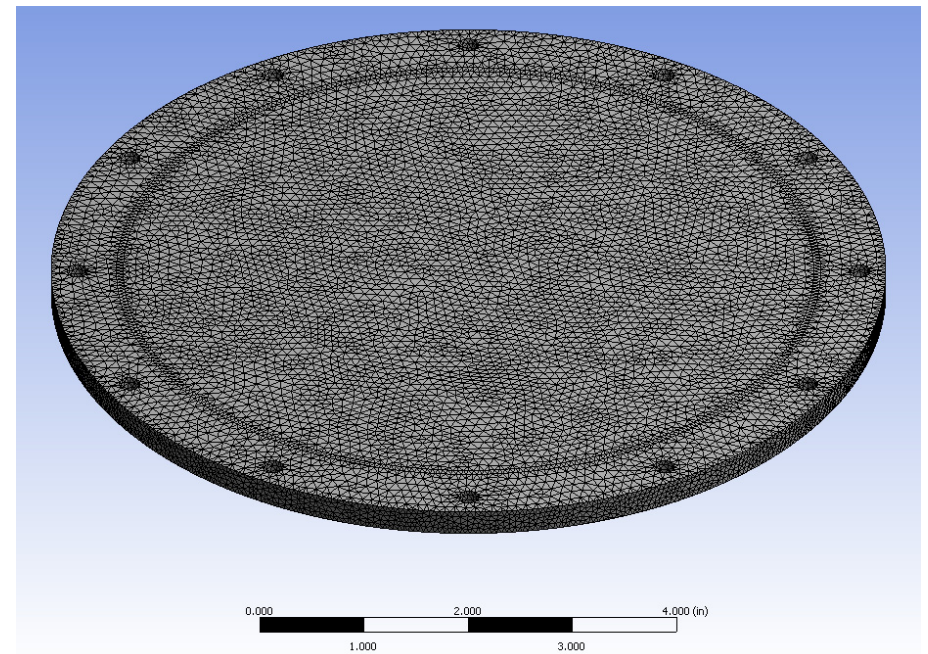
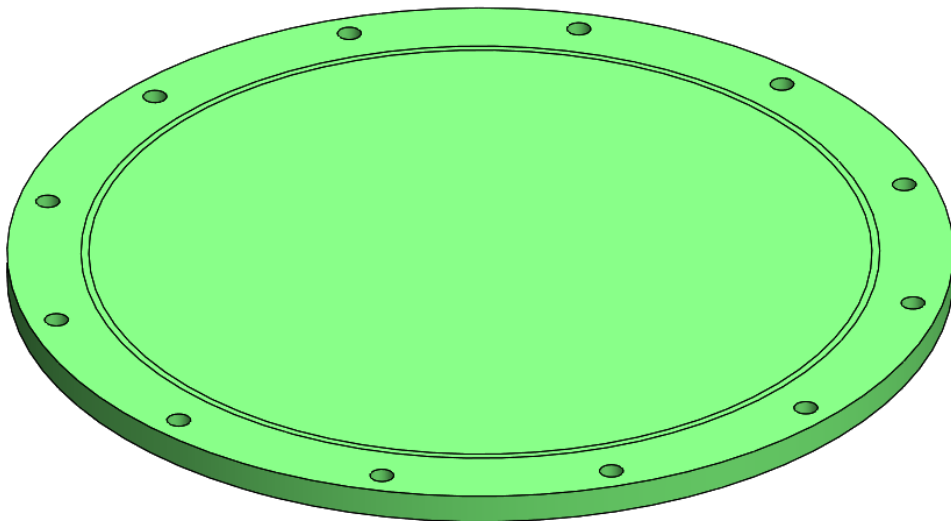


Micromegas Board

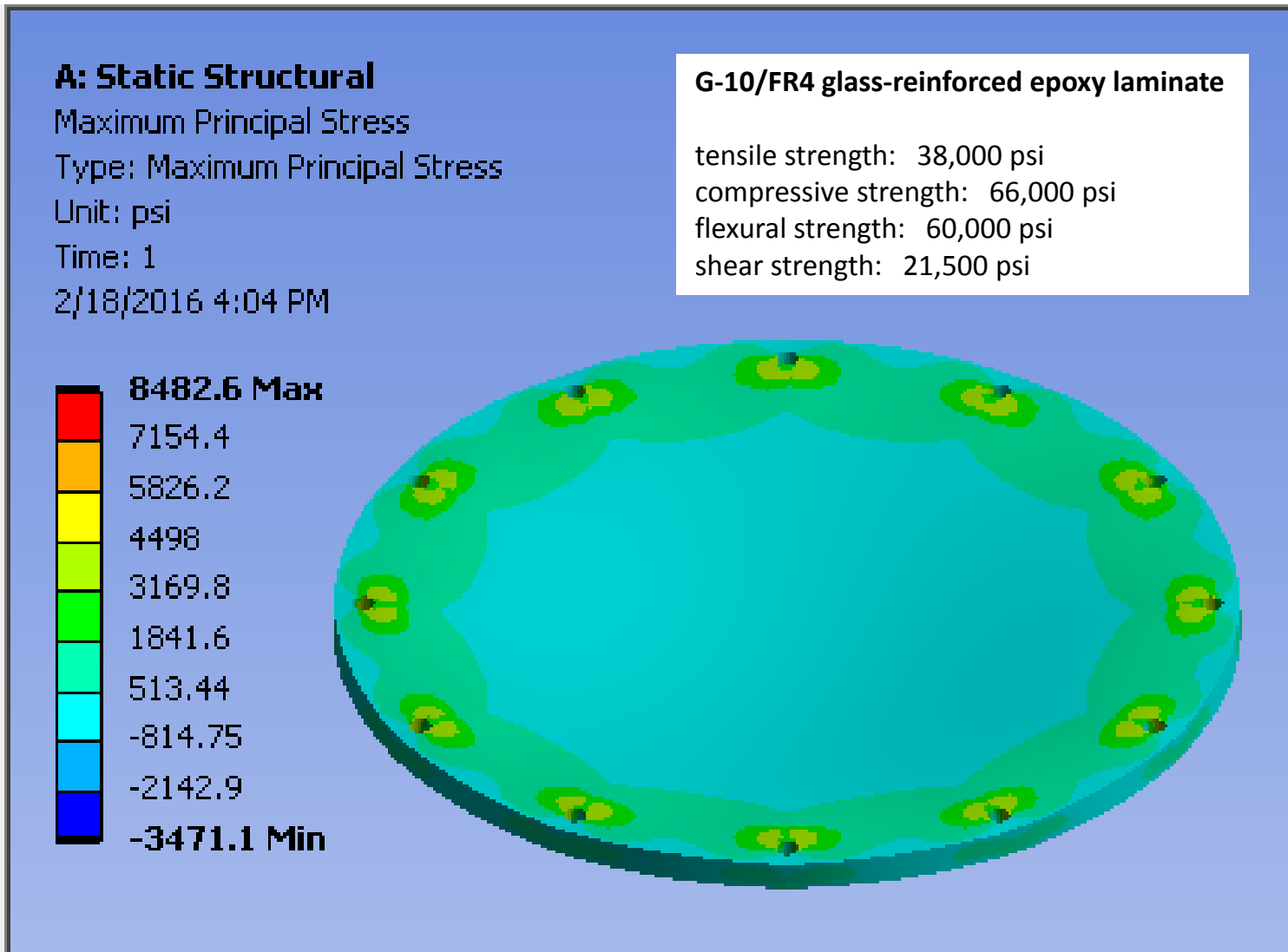
0.250 in (6.35 mm) thick G-10/FR4 glass-reinforced epoxy laminate

8.0 in (20.3 cm) outside diameter, 6.0 in (15.2 cm) diameter circuitry region



Micromegas Board

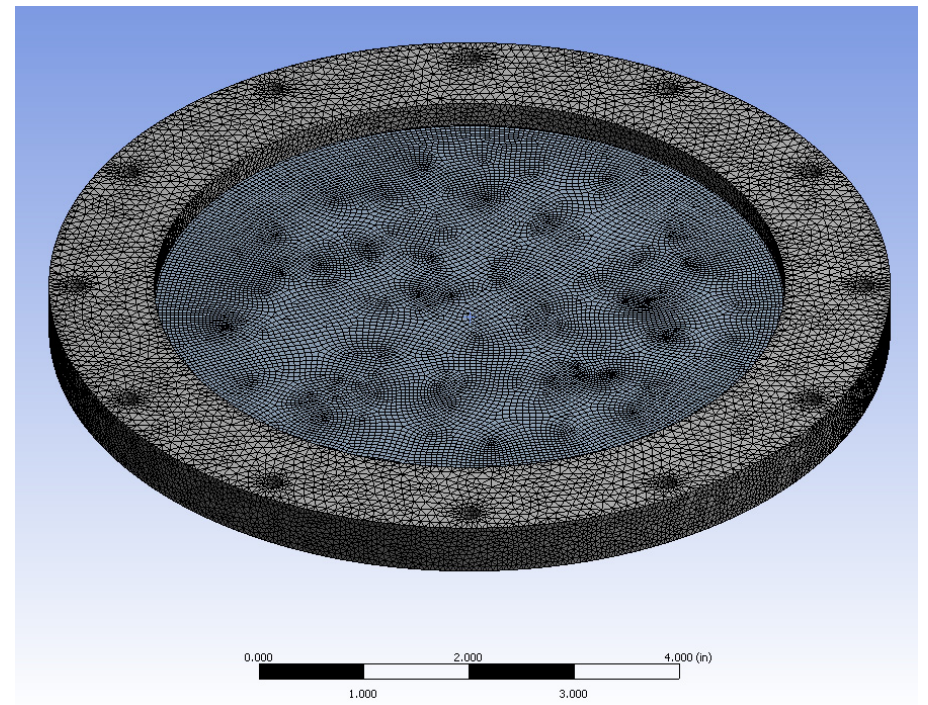
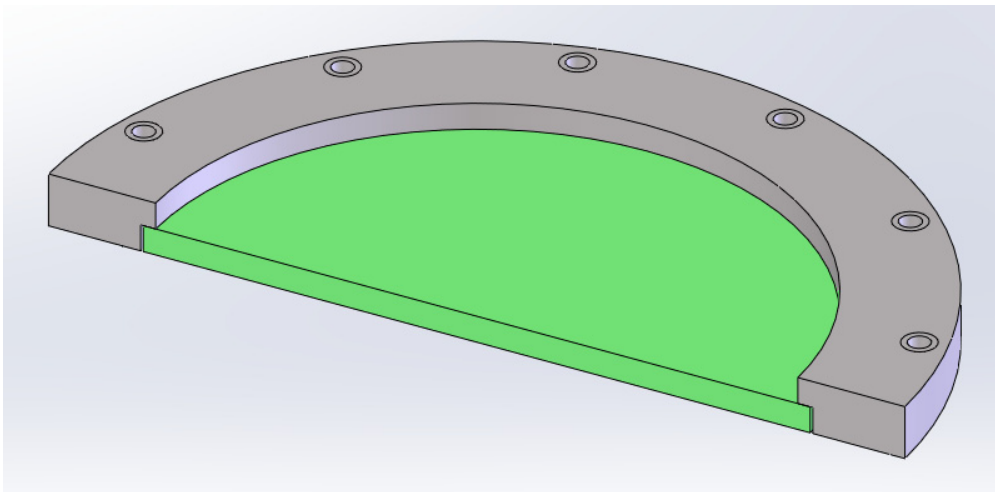
15 psi (103 kPa) differential pressure



Micromegas Board with Support Ring Flange

Board: 0.250 in (6.35 mm) thick G-10/FR4 glass-reinforced epoxy laminate
6.230 in (15.8 cm) outside diameter, 6.0 in (15.2 cm) diameter circuitry region

Support Ring: 0.50 in (12.7 mm) thick type 304 stainless steel, 8.0 in (20.3 cm) outside diameter



Micromegas Board with Support Ring Flange

15 psi (103 kPa) differential pressure

