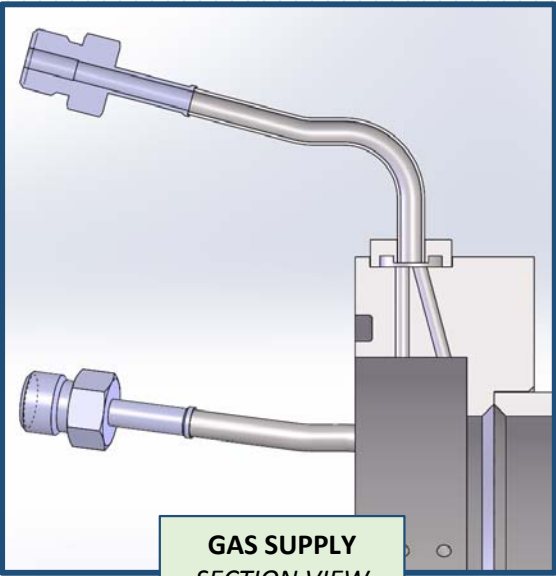
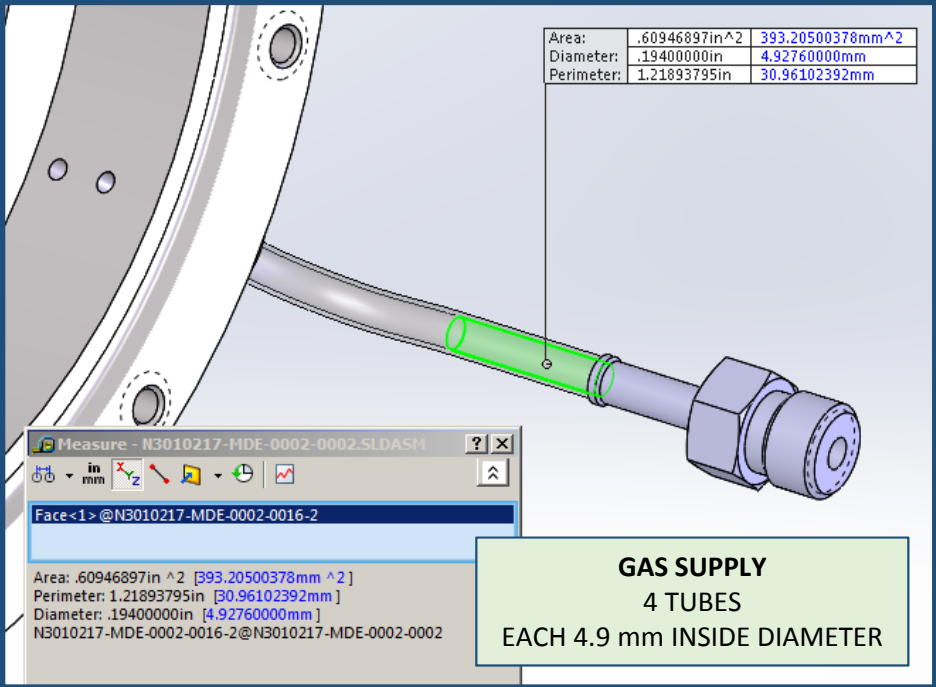


**VACUUM PUMP OUT**  
10.9 mm INSIDE DIAMETER

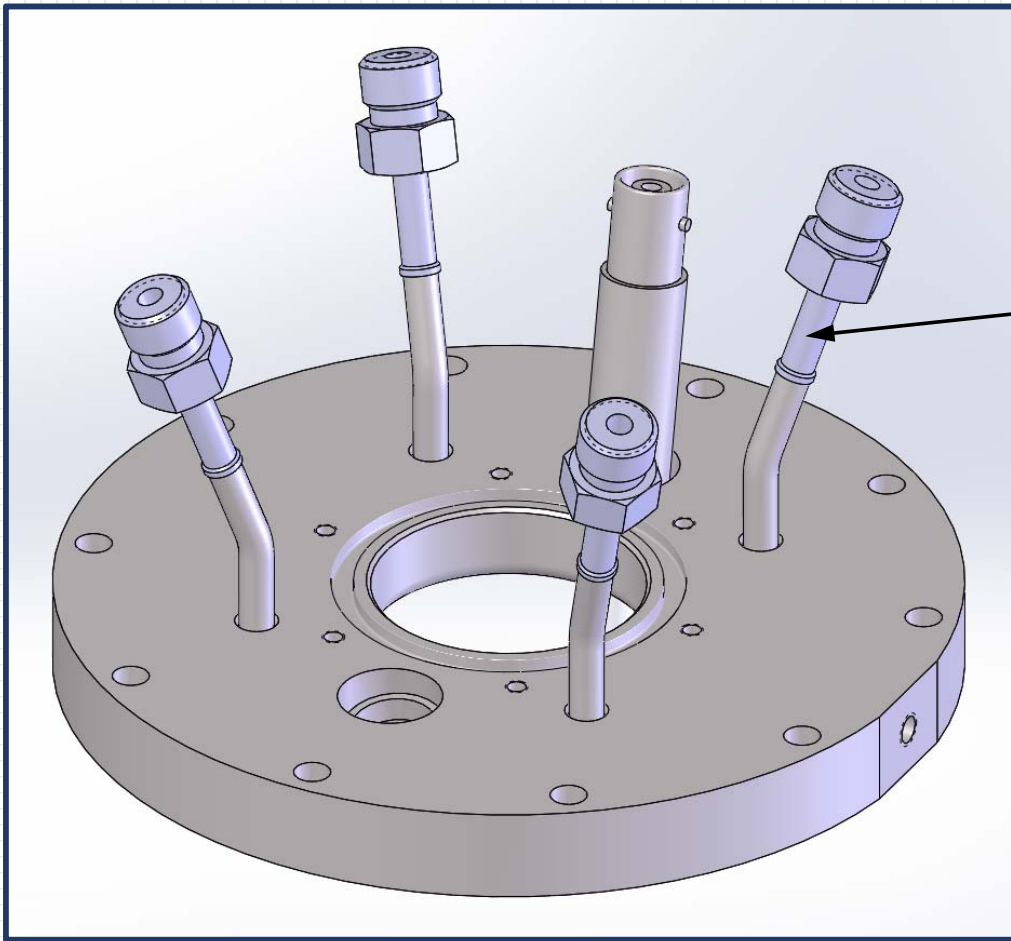
**GAS SUPPLY**  
(QUANTITY = 4)



**GAS SUPPLY**  
SECTION VIEW



**GAS SUPPLY**  
4 TUBES  
EACH 4.9 mm INSIDE DIAMETER



**GAS RETURN  
(QUANTITY = 4)**

**GAS RETURN  
4 TUBES  
EACH 4.9 mm INSIDE DIAMETER**

Area:	.39006014in <sup>2</sup>	251.65120242mm <sup>2</sup>
Diameter:	.19400000in	4.92760000mm
Perimeter:	1.21893795in	30.96102392mm

Measure - N3010217-MDE-0002-0005.SLDASH

in mm

Face<1>@N3010217-MDE-0002-0027-2

Area: .39006014in<sup>2</sup> [251.65120242mm<sup>2</sup>]  
 Perimeter: 1.21893795in [30.96102392mm]  
 Diameter: .19400000in [4.92760000mm]  
 N3010217-MDE-0002-0027-2@N3010217-MDE-0002-0005



